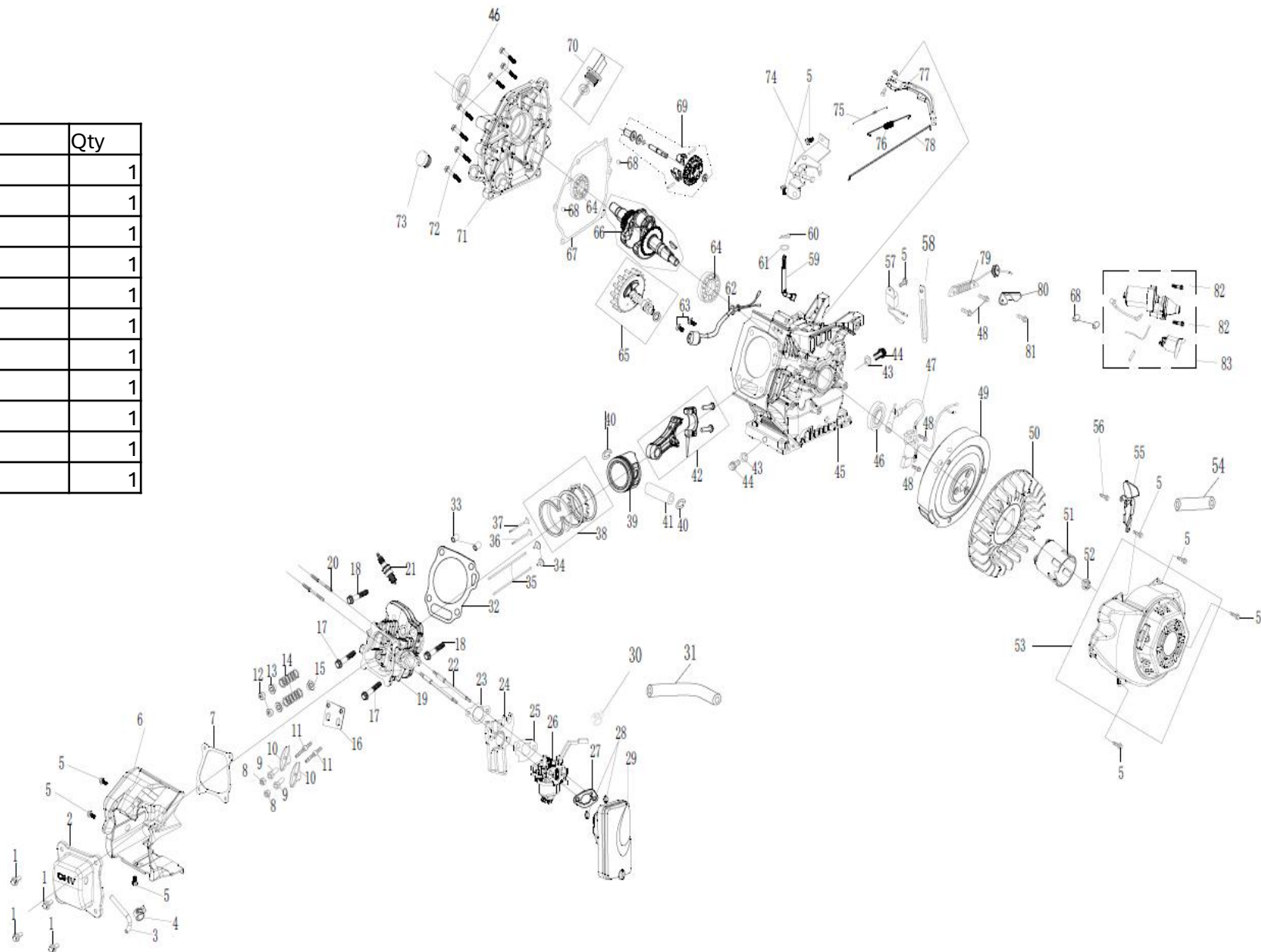


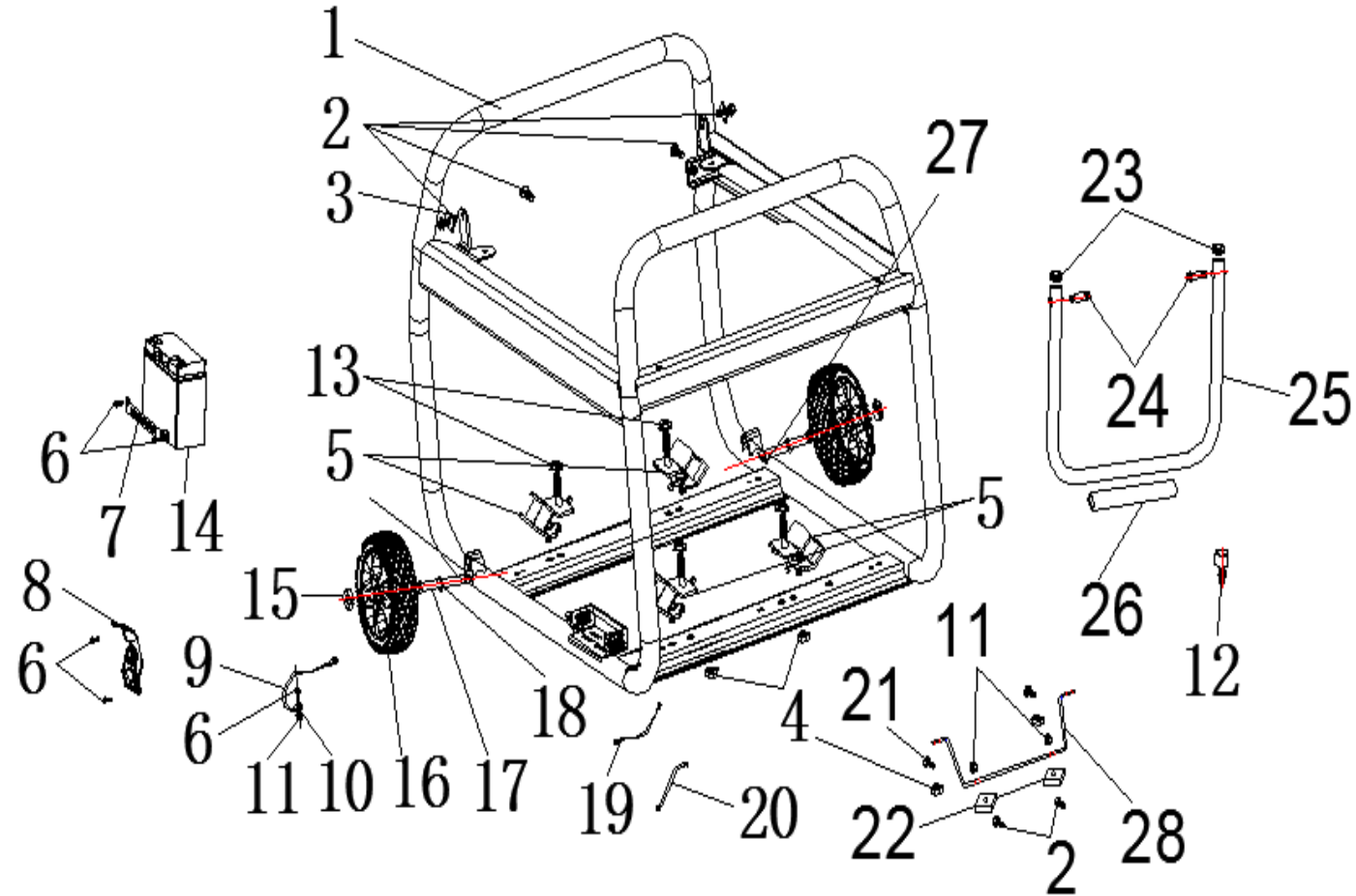
Engine:

Part #	Item Code	Description	Qty
3	812584	EXHAUST PIPE	1
25	812576	CARBURETOR GASKET	1
26	421392	CARBURETOR ASSEMBLY	1
27	812575	AIR FILTER GASKET	1
29	421393	AIR FILTER ASSEMBLY	1
47	812571	IGNITION COIL ASSEMBLY	1
53	421394	RECOIL STARTER ASSEMBLY	1
57	812580	OIL ALARM	1
62	812581	OIL SENSOR	1
70	812856	OIL DIPSTICK ASSEMBLY	1
83	421395	STARTING MOTOR COMPONENT	1



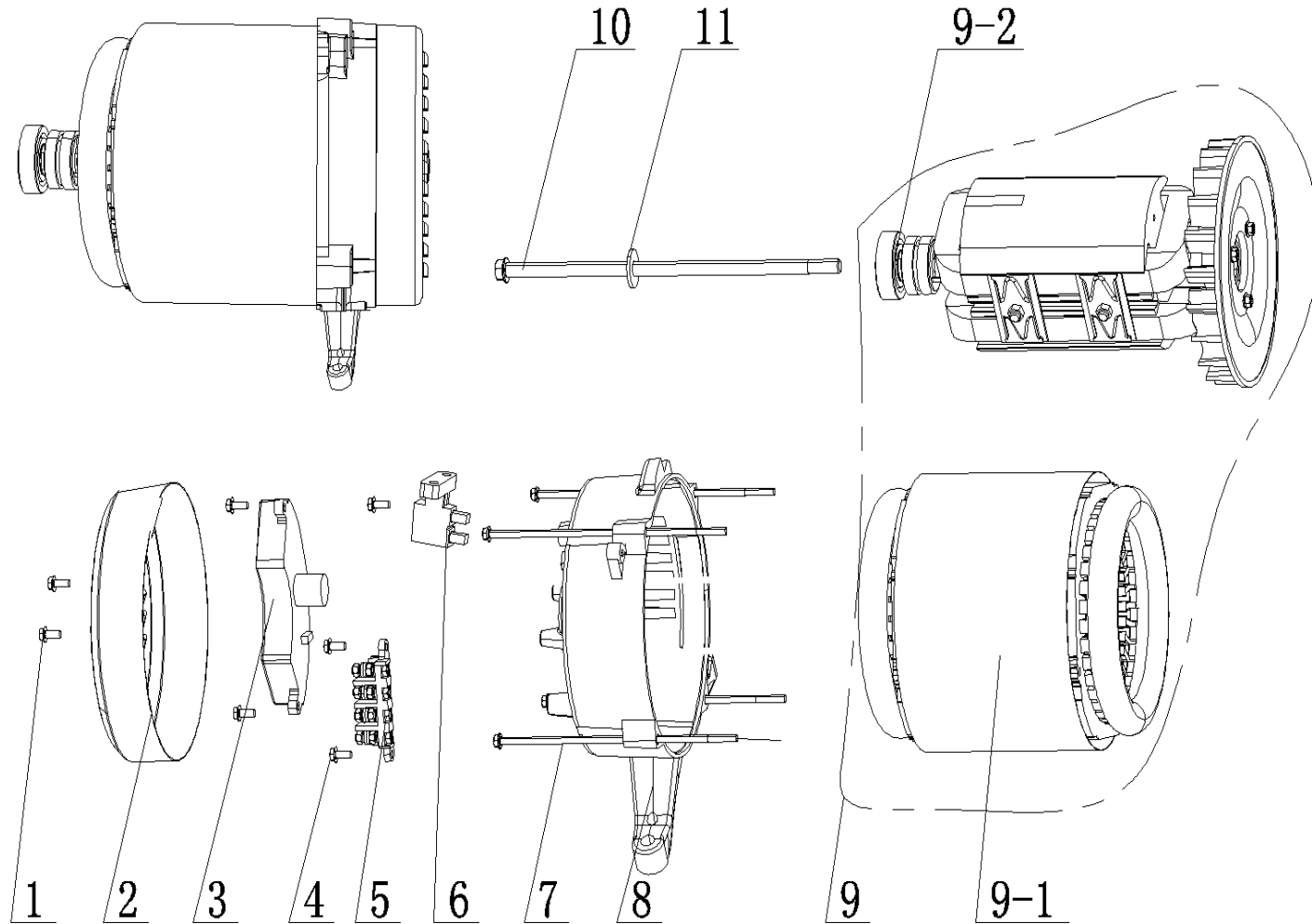
Frame:

Part #	Item Code	Description	Qty
1	421396	FRAME ASSEMBLY	1
4	812615	NUT	6
5	812585	SHOCK ABSORBING BEARING	2
-	812586	SHOCK ABSORBING BEARING	1
-	812587	SHOCK ABSORBING BEARING	1
13	812615	NUT	4
15	812579	WHEEL HUB COVER	2
16	812572	WHEEL ASSEMBLY	2
17	812589	AXLE	2
22	812588	SUPPORT RUBBER PAD	2
23	812578	CAP	2
24	812582	HANDLE RETAINING PIN	2
25	812573	HAND HANDLE TUBE ASSEMBLY	1
26	812574	RUBBER COVER FOR HANDLE	1
27	812583	LOCATING PIN LOCK CLAMP	2



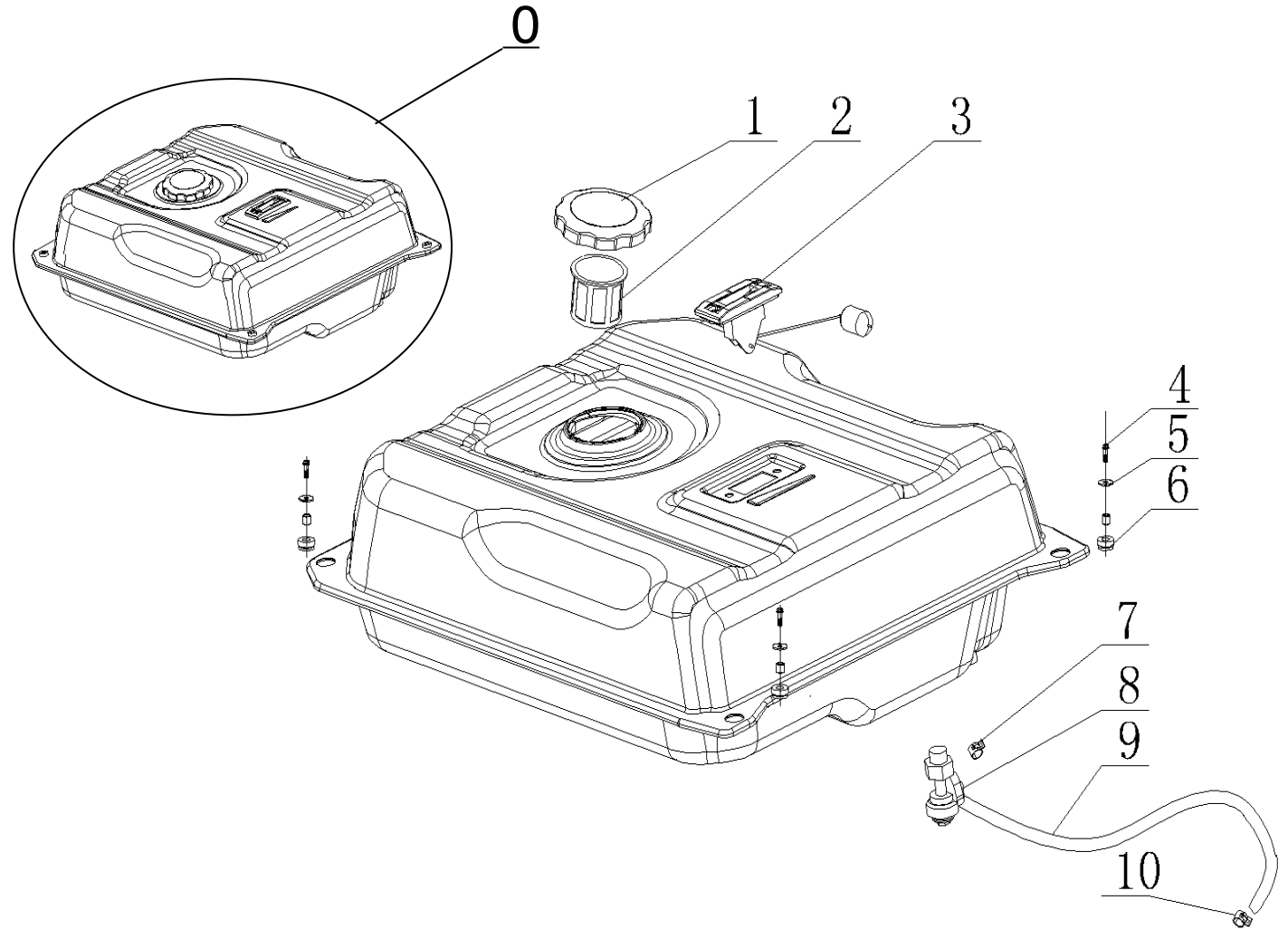
Alternator:

Part #	Item Code	Description	Qty
3	421397	AVR	1
6	421398	CARBON BRUSH	1
8	812577	ALTERNATOR SUPPORT	1



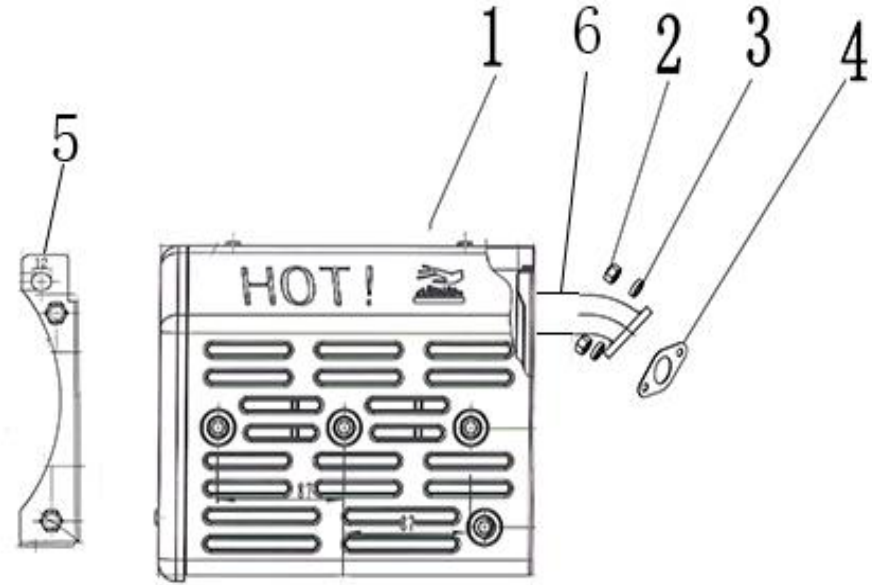
Fuel Tank:

Part #	Item Code	Description	Qty
0	812852	FUEL TANK ASSEMBLY	1
1	812590	FUEL TANK CAP	1
2	812591	OIL FILTER	1
3	812592	OIL MARKER	1



Muffler:

Part #	Item Code	Description	Qty
1	421400	MUFFLER COMPONENT	1
4	421401	MUFFLER GASKET	3



Control Panel:

Part #	Item Code	Description	Qty
1	421402	CONTROL PANEL ASSEMBLY	1

